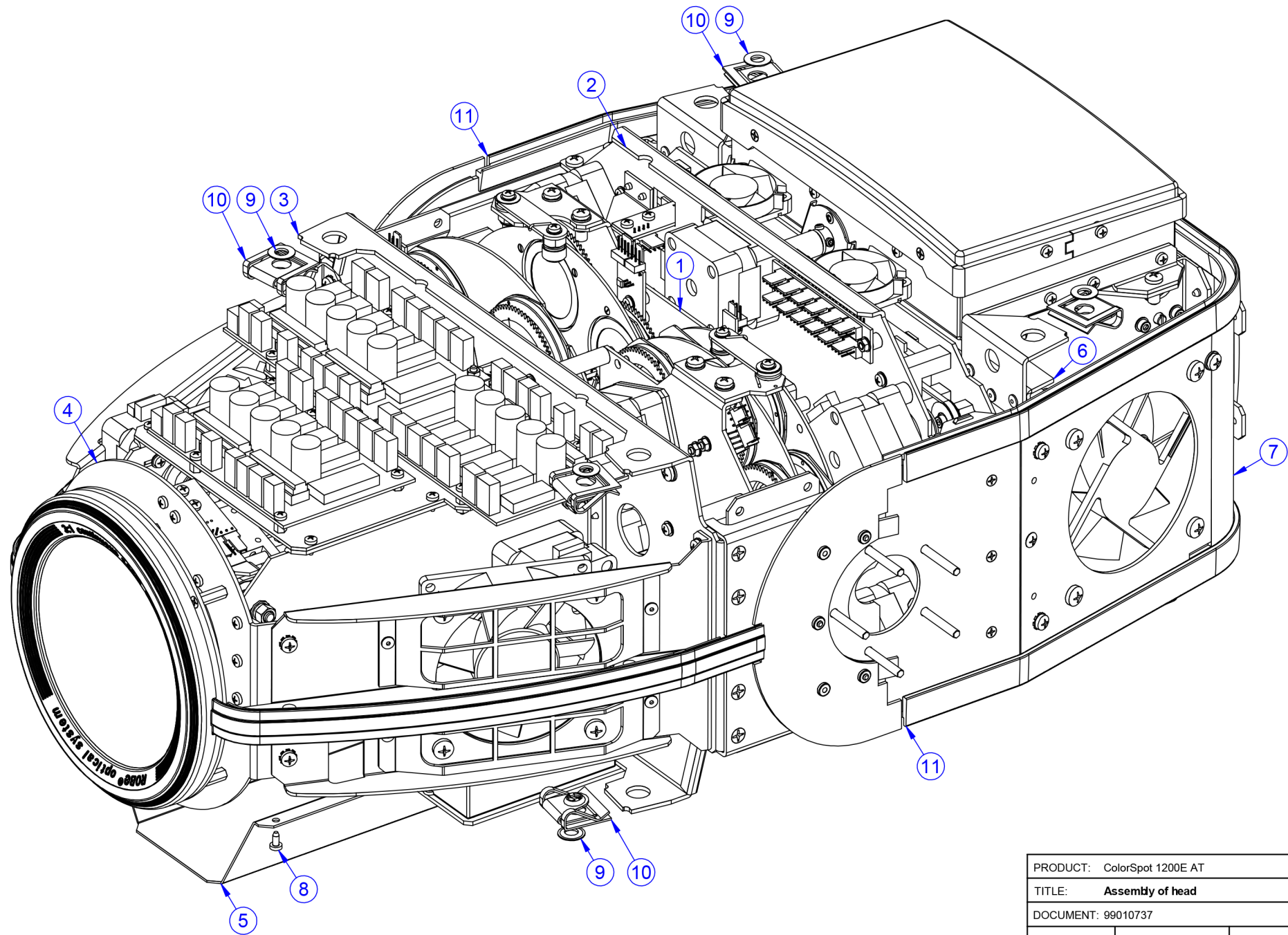
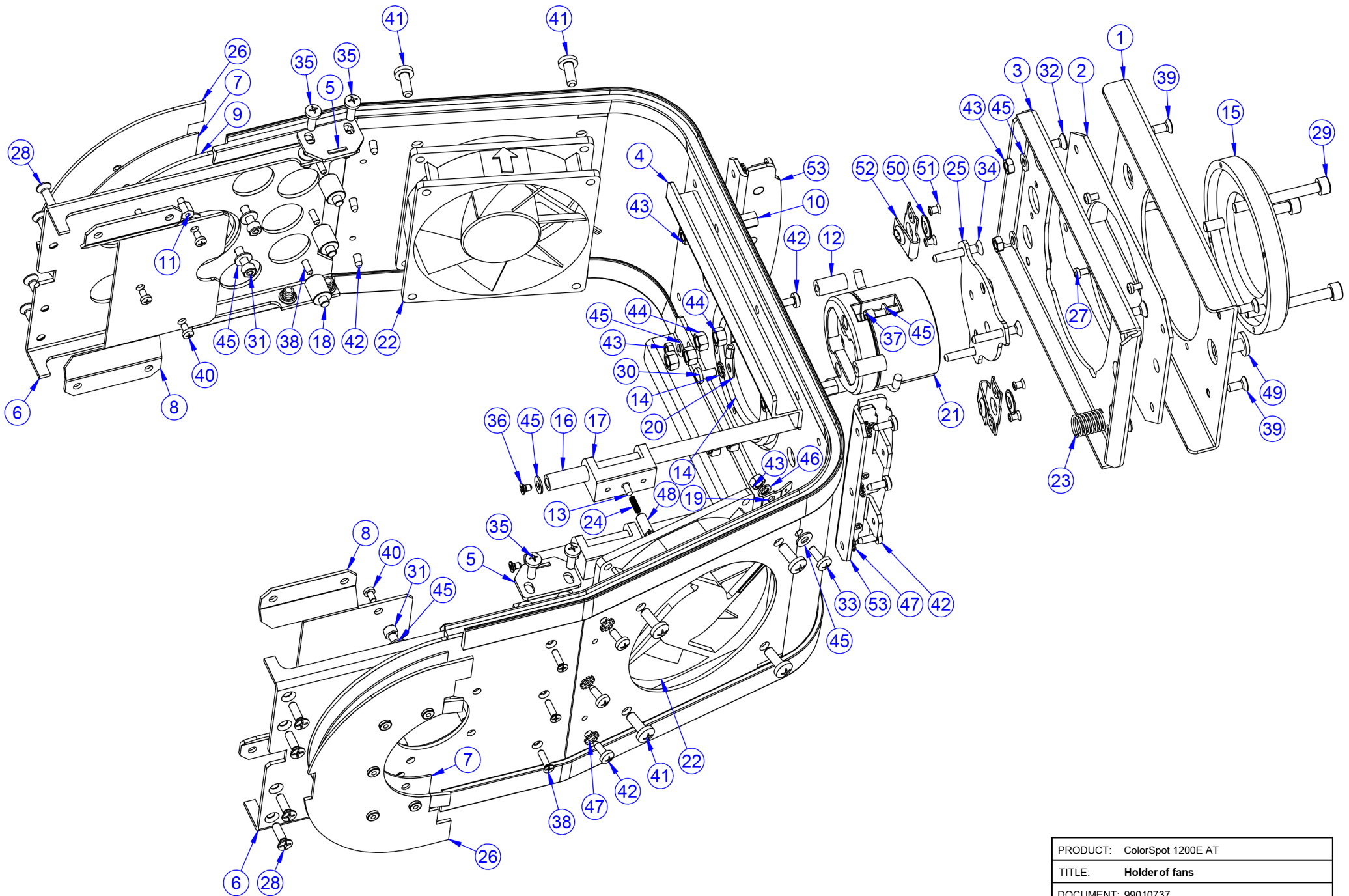


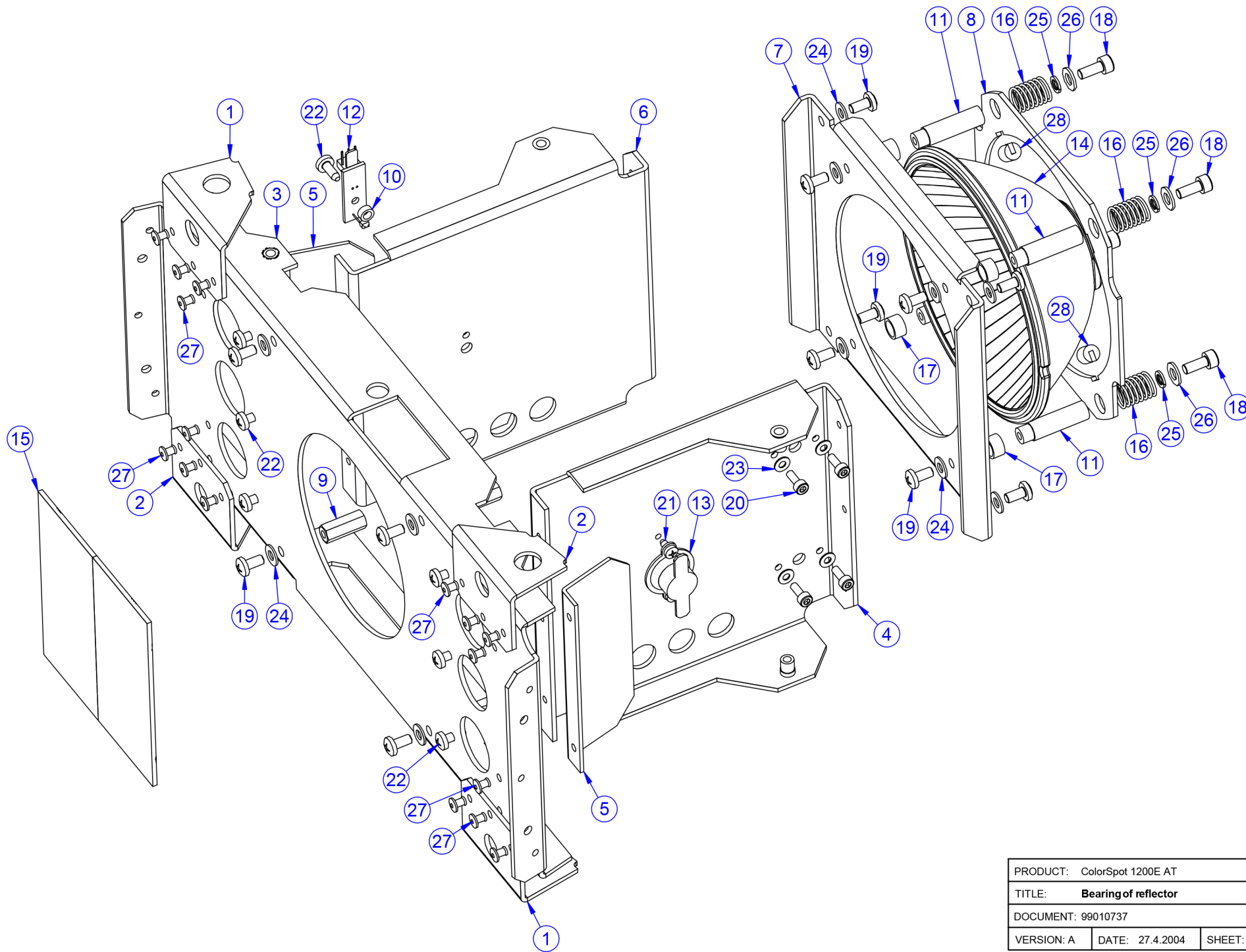
PRODUCT: ColorSpot 1200E AT		
TITLE: Covers		
DOCUMENT: 99010740		
VERSION: A	DATE: 27.4.2004	SHEET: 1 OF 19



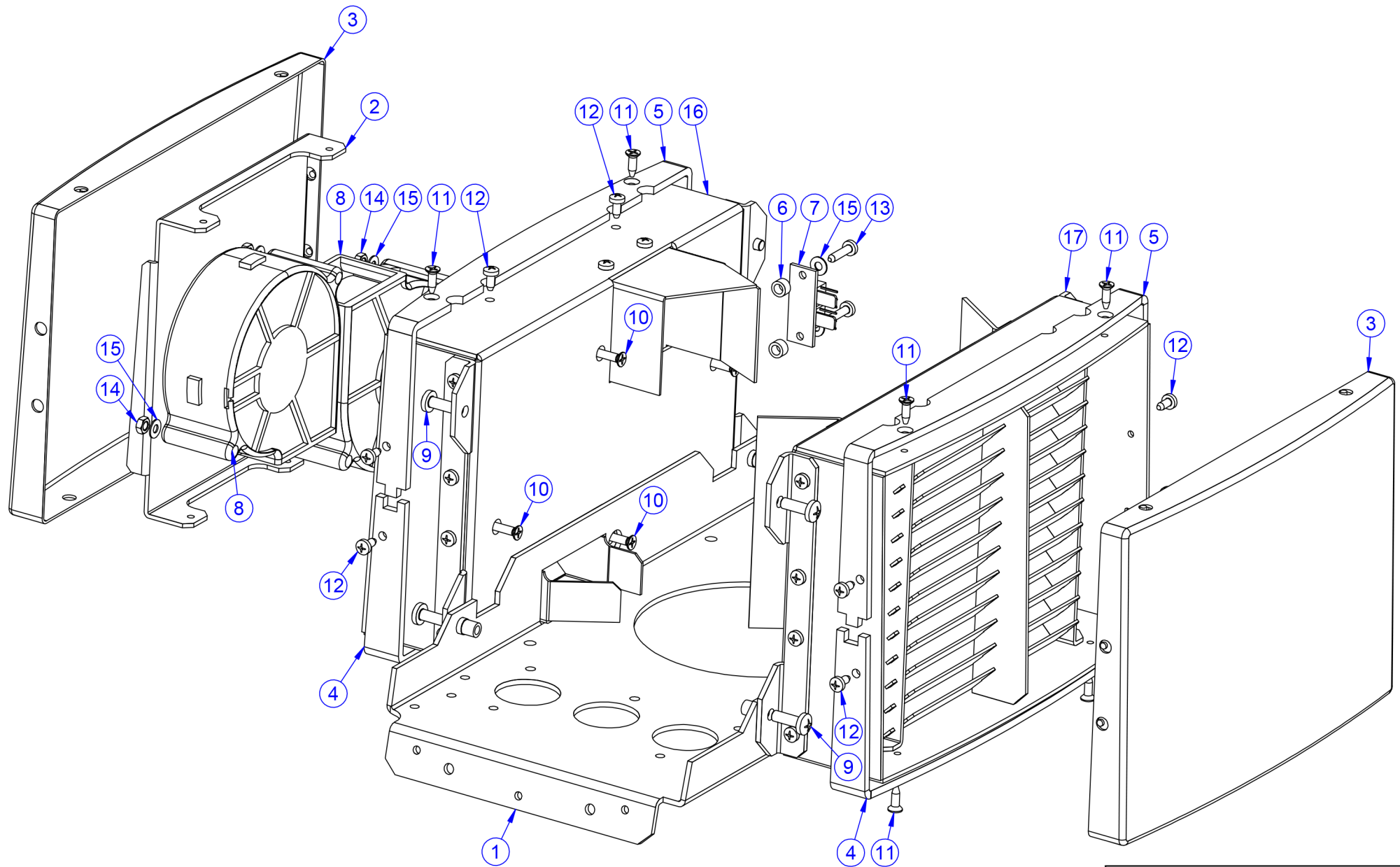
PRODUCT: ColorSpot 1200E AT		
TITLE: Assembly of head		
DOCUMENT: 99010737		
VERSION: A	DATE: 27.4.2004	SHEET: 2 OF 19



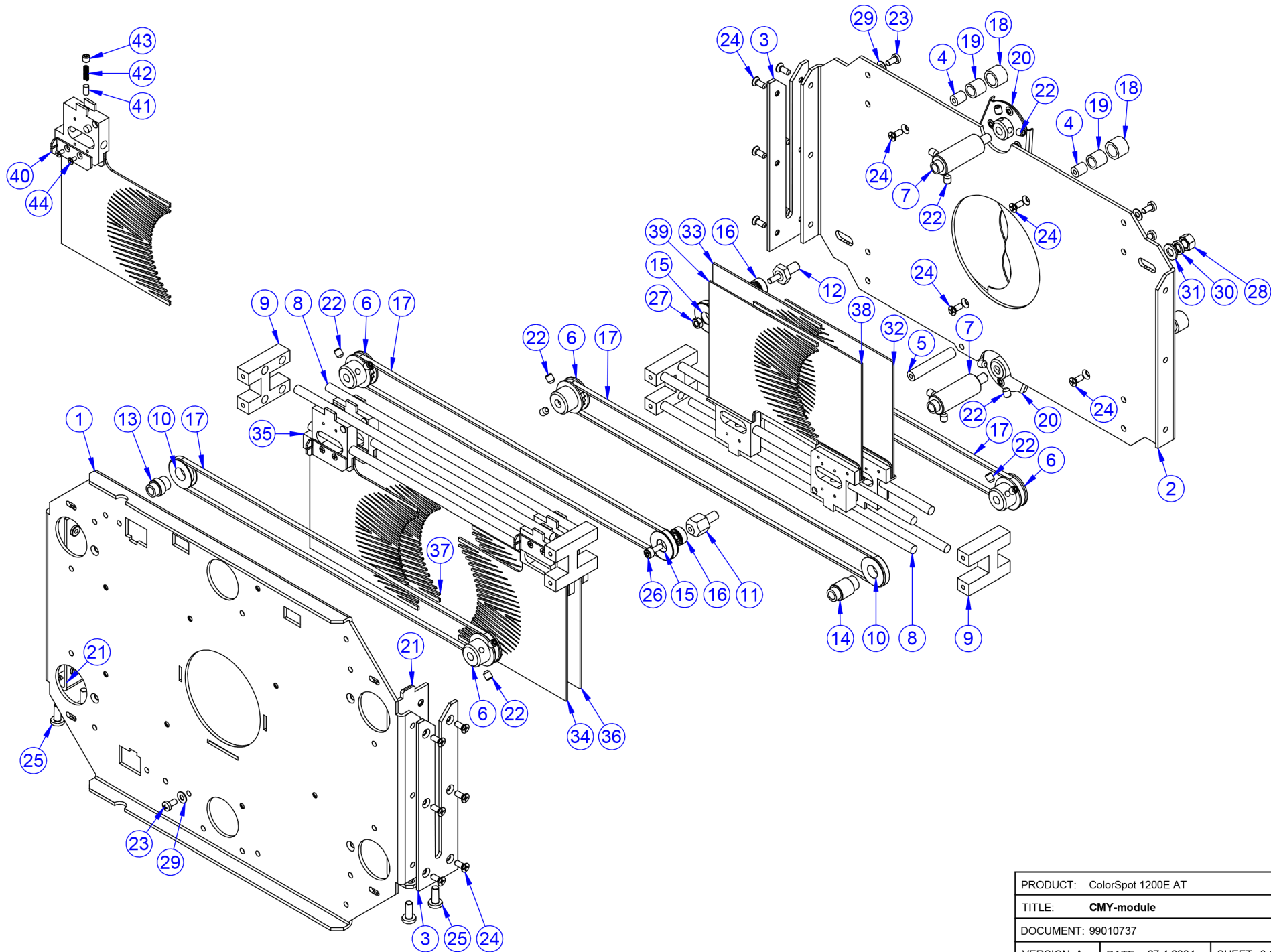
PRODUCT: ColorSpot 1200E AT		
TITLE: Holder of fans		
DOCUMENT: 99010737		
VERSION: A	DATE: 27.4.2004	SHEET: 3 OF 19



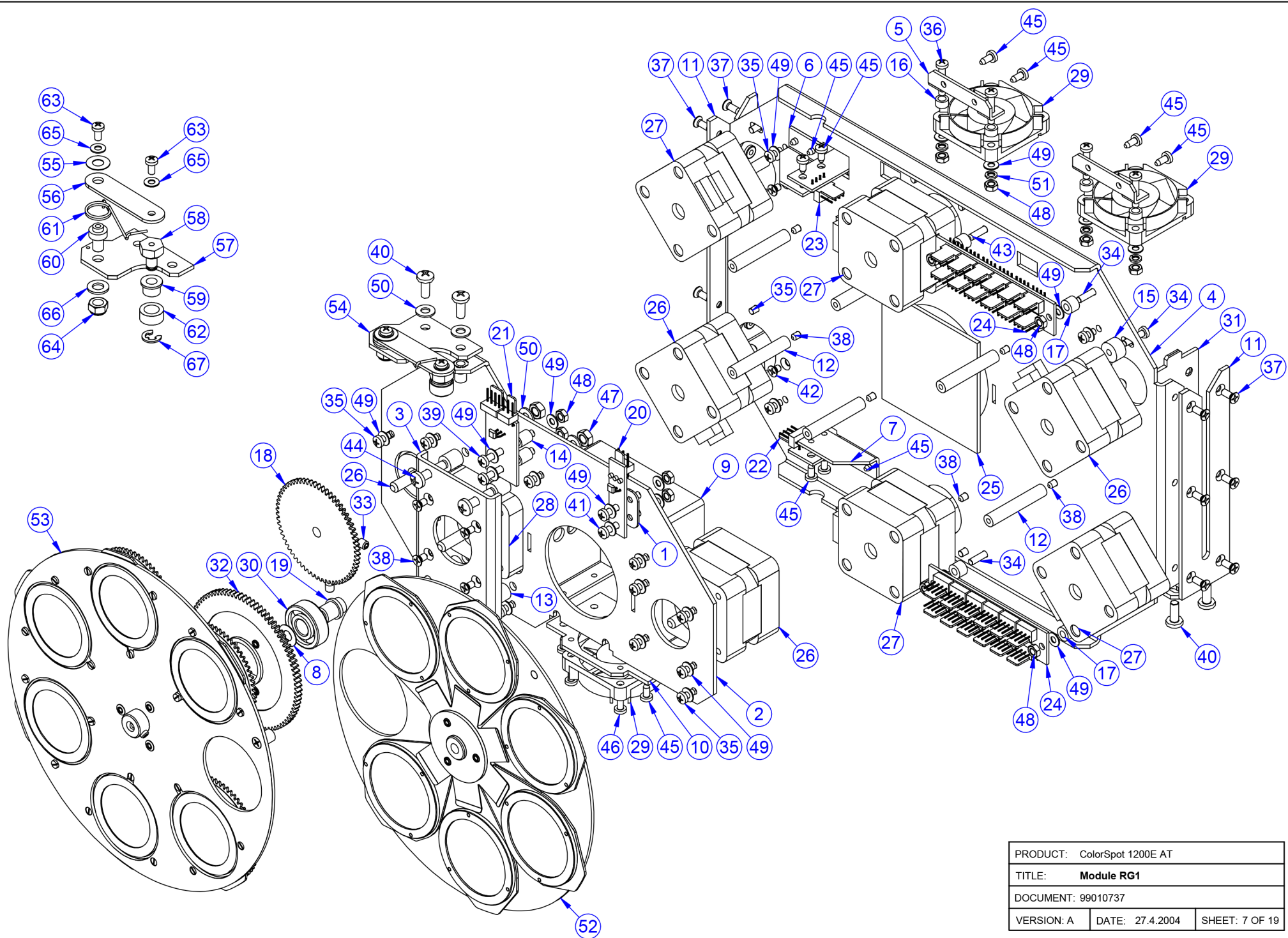
PRODUCT: ColorSpot 1200E AT		
TITLE: Bearing of reflector		
DOCUMENT: 99010737		
VERSION: A	DATE: 27.4.2004	SHEET: 4 OF 19



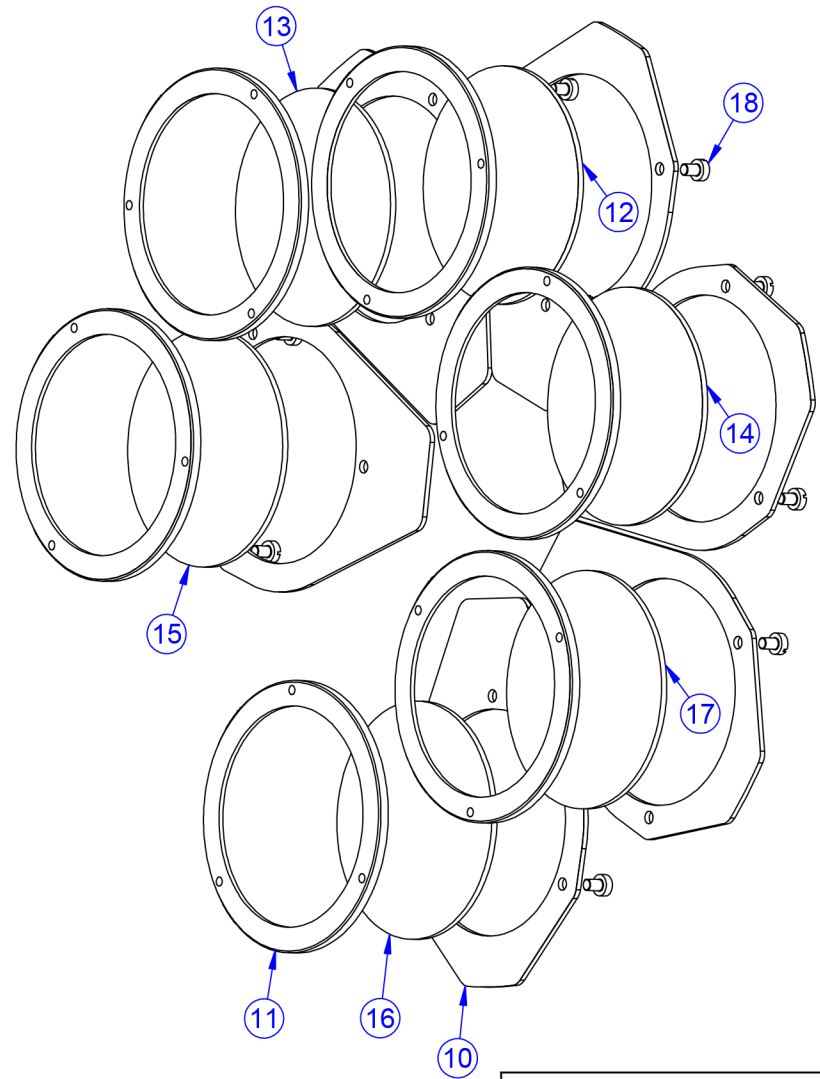
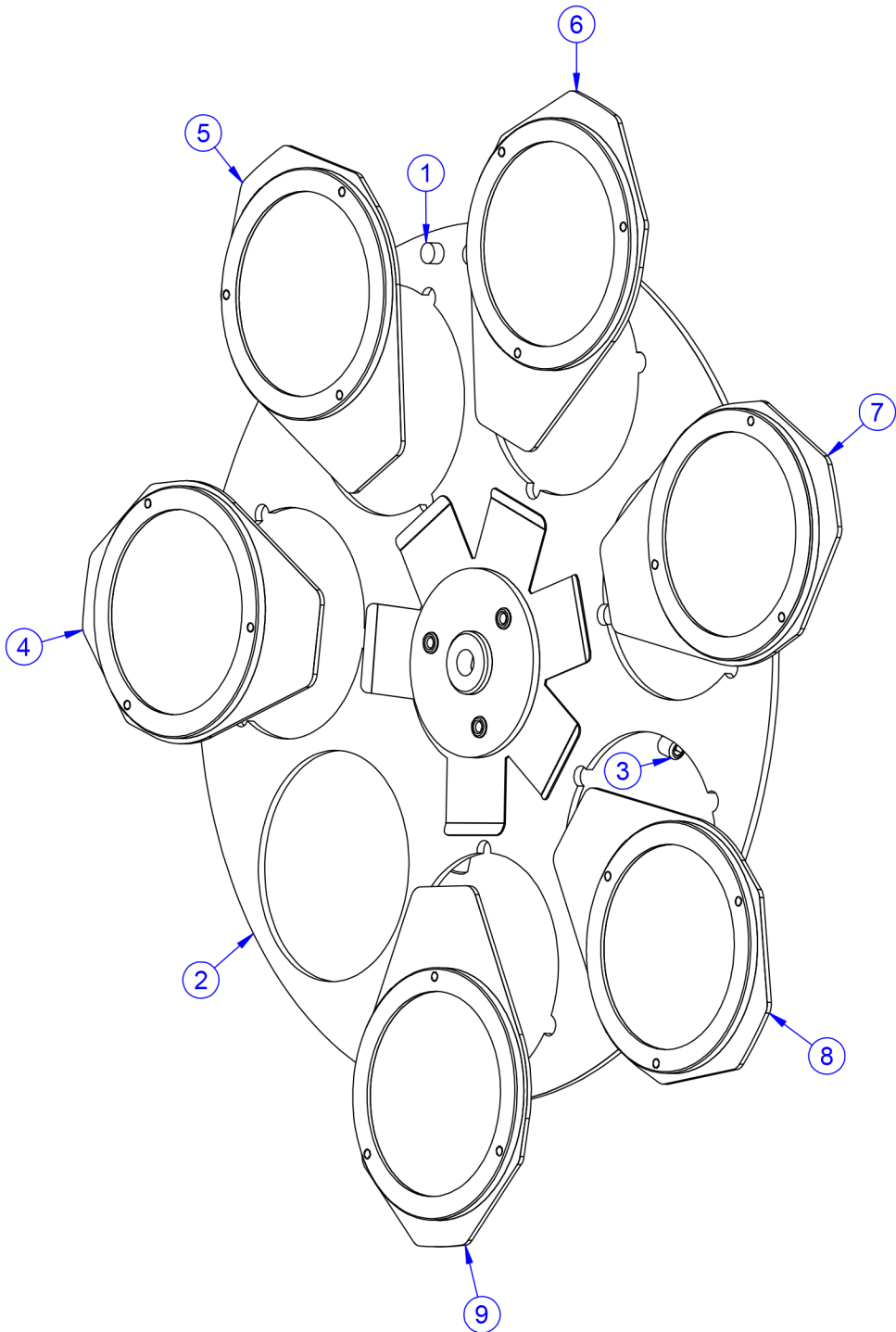
PRODUCT: ColorSpot 1200E AT		
TITLE: Cooling modules		
DOCUMENT: 99010737		
VERSION: A	DATE: 27.4.2004	SHEET: 5 OF 19



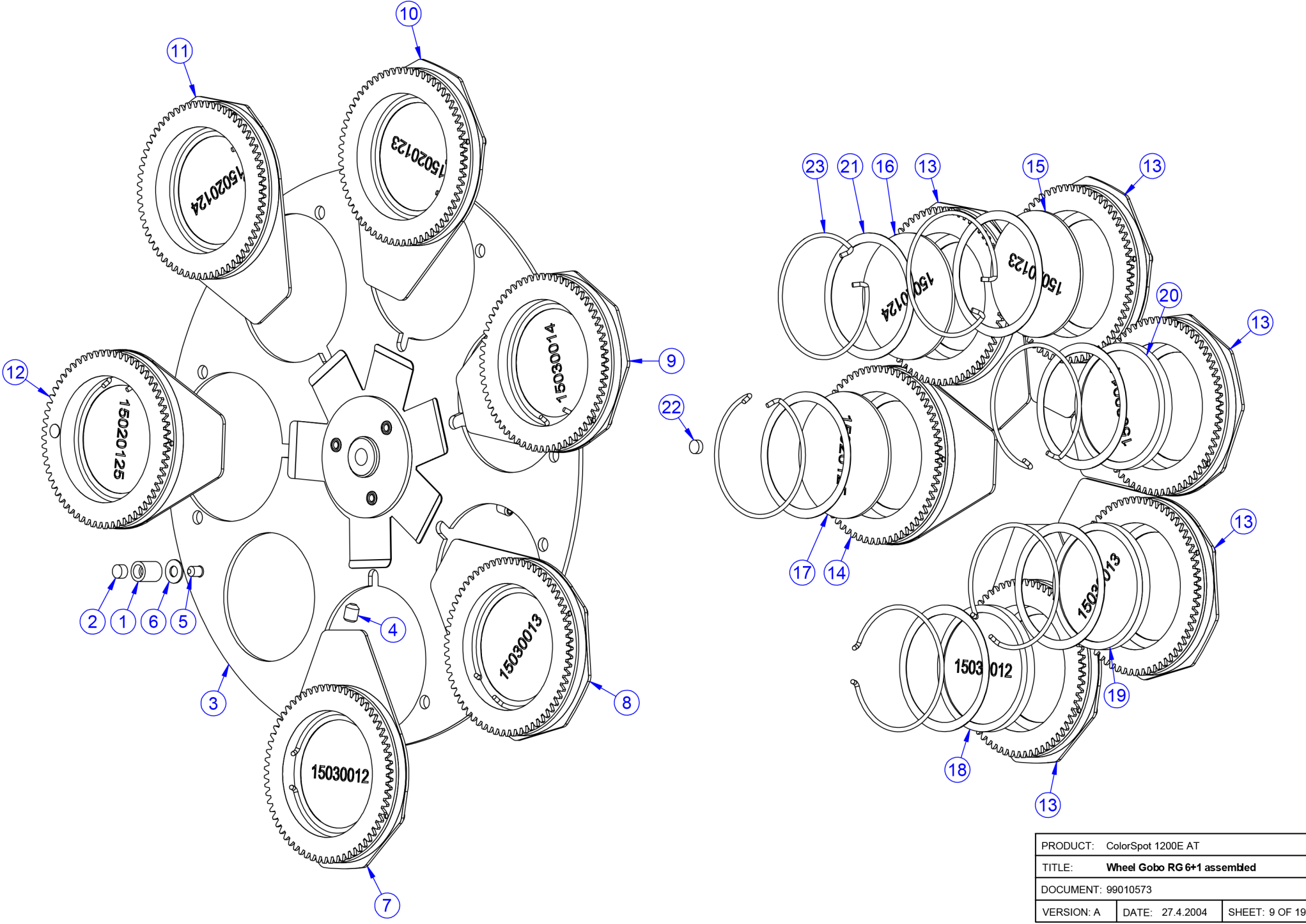
PRODUCT: ColorSpot 1200E AT		
TITLE: CMY-module		
DOCUMENT: 99010737		
VERSION: A	DATE: 27.4.2004	SHEET: 6 OF 19



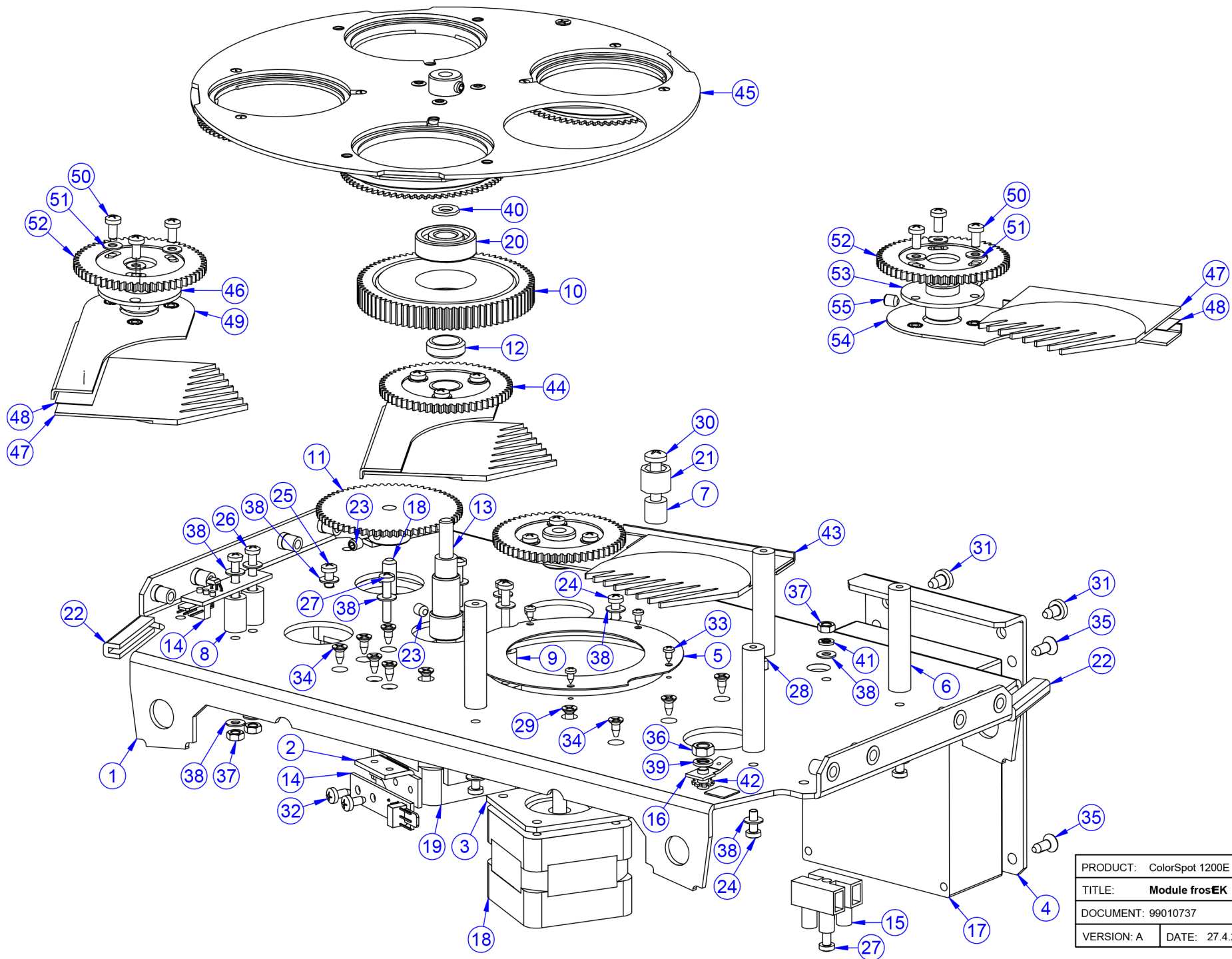
PRODUCT: ColorSpot 1200E AT		
TITLE: Module RG1		
DOCUMENT: 99010737		
VERSION: A	DATE: 27.4.2004	SHEET: 7 OF 19



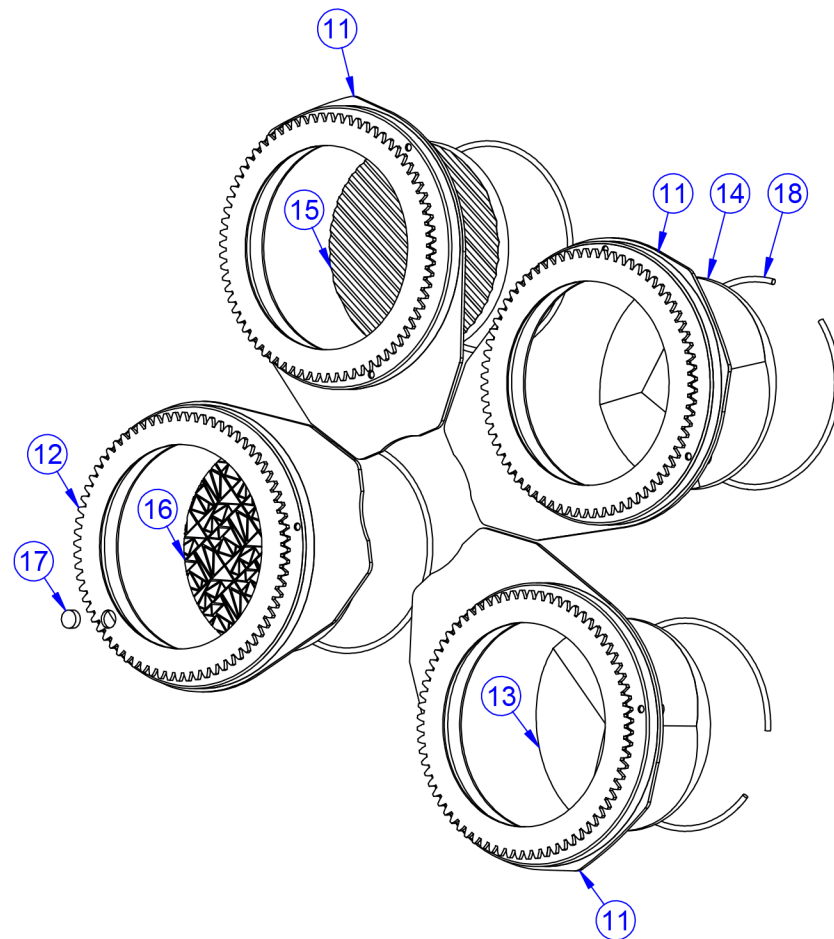
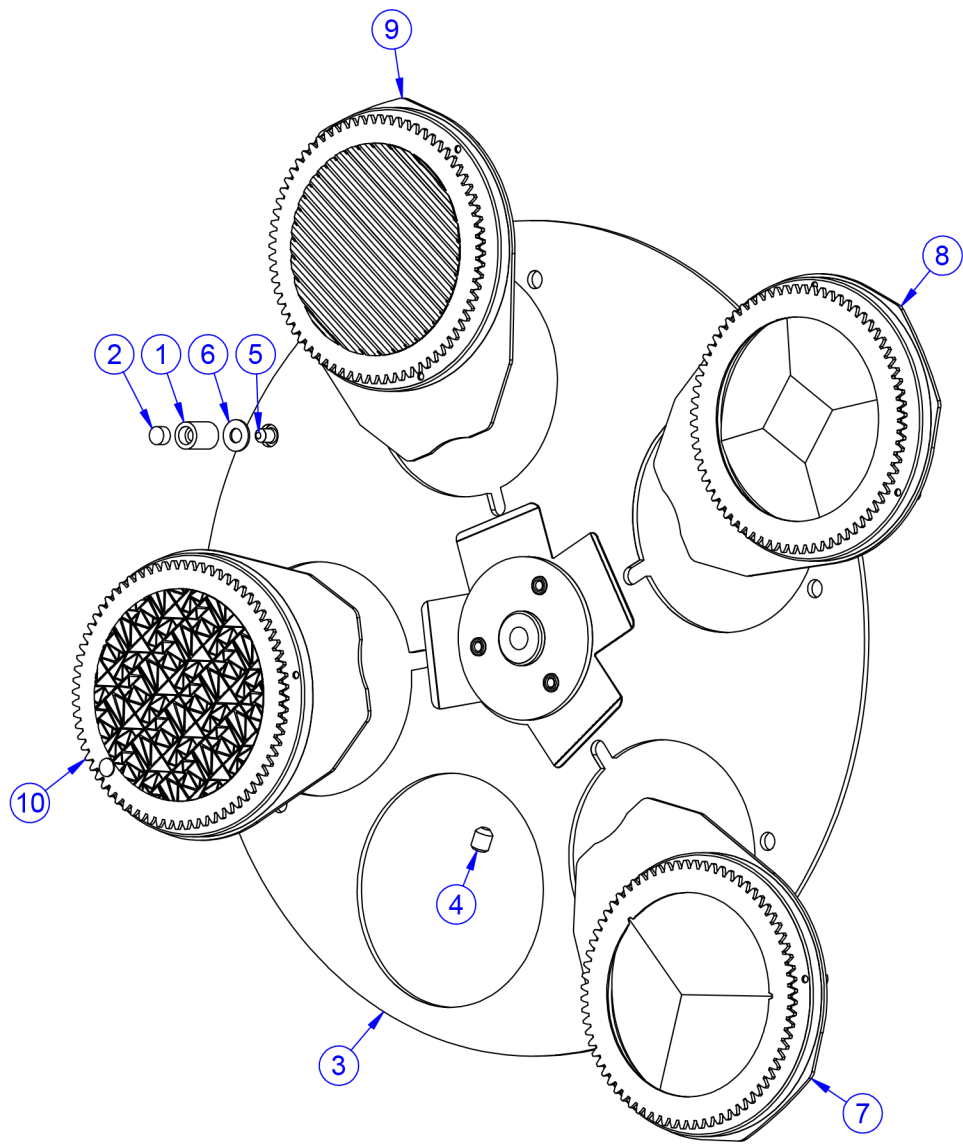
PRODUCT: ColorSpot 1200E AT		
TITLE: Wheel Color 6+1 assembled		
DOCUMENT: 99010566		
VERSION: A	DATE: 27.4.2004	SHEET: 8 OF 19



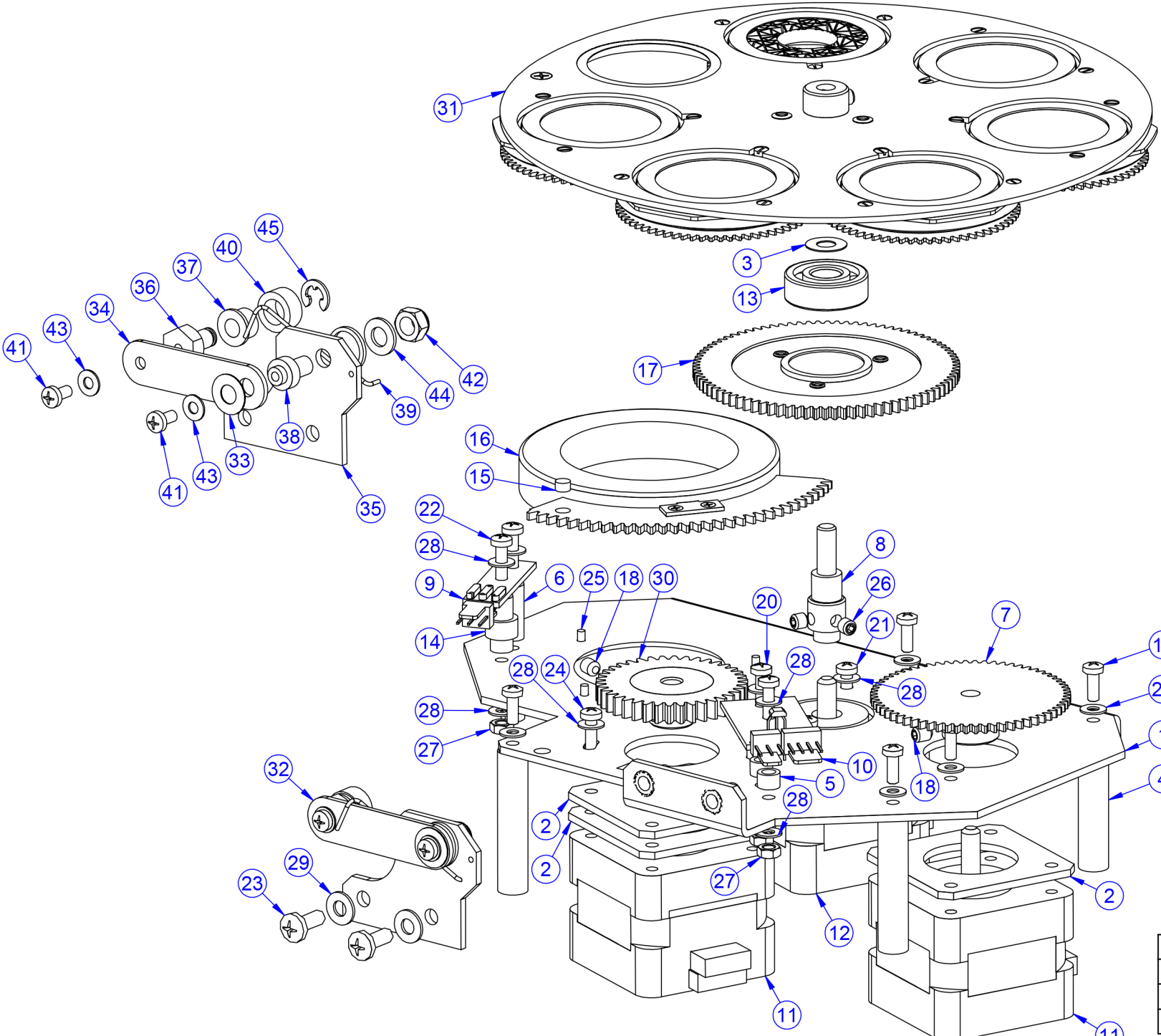
PRODUCT: ColorSpot 1200E AT		
TITLE: Wheel Gobo RG 6+1 assembled		
DOCUMENT: 99010573		
VERSION: A	DATE: 27.4.2004	SHEET: 9 OF 19



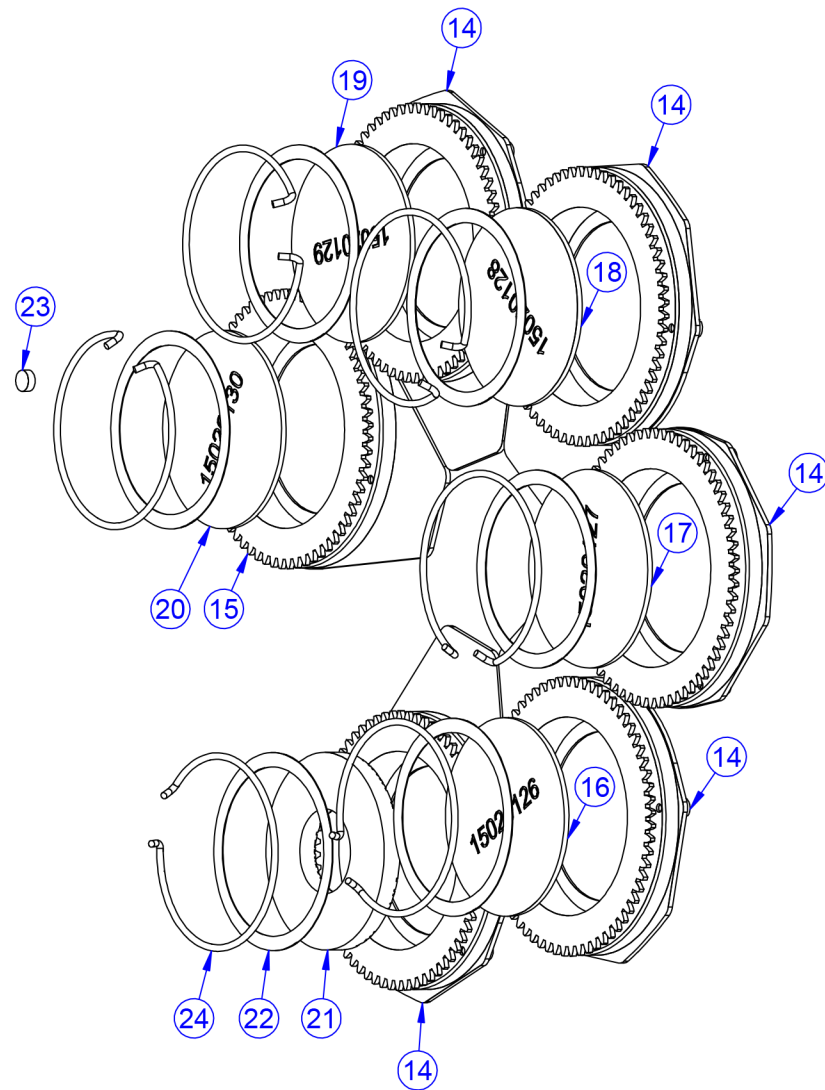
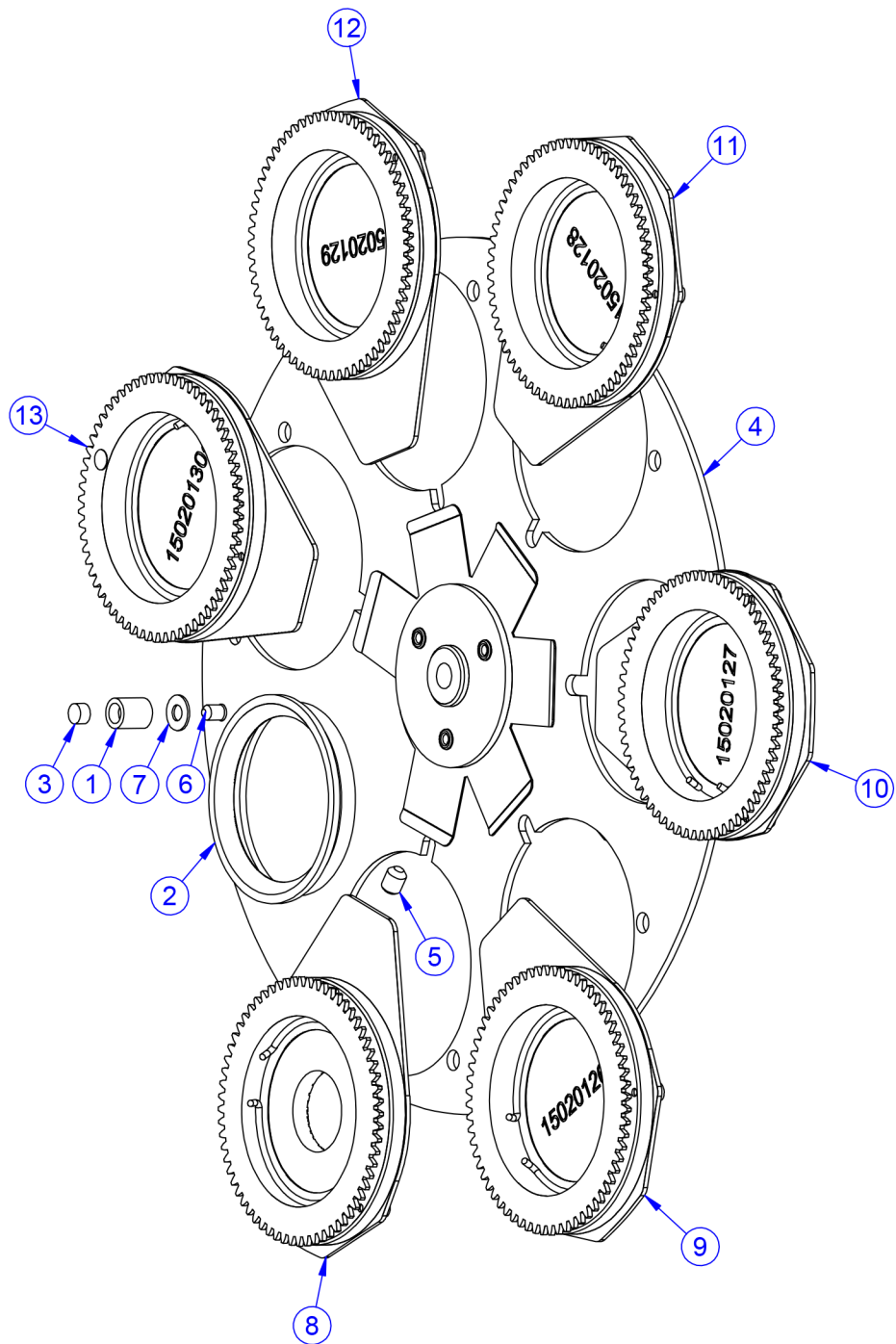
PRODUCT: ColorSpot 1200E AT		
TITLE: Module frosEK		
DOCUMENT: 99010737		
VERSION: A	DATE: 27.4.2004	SHEET: 10 OF 19



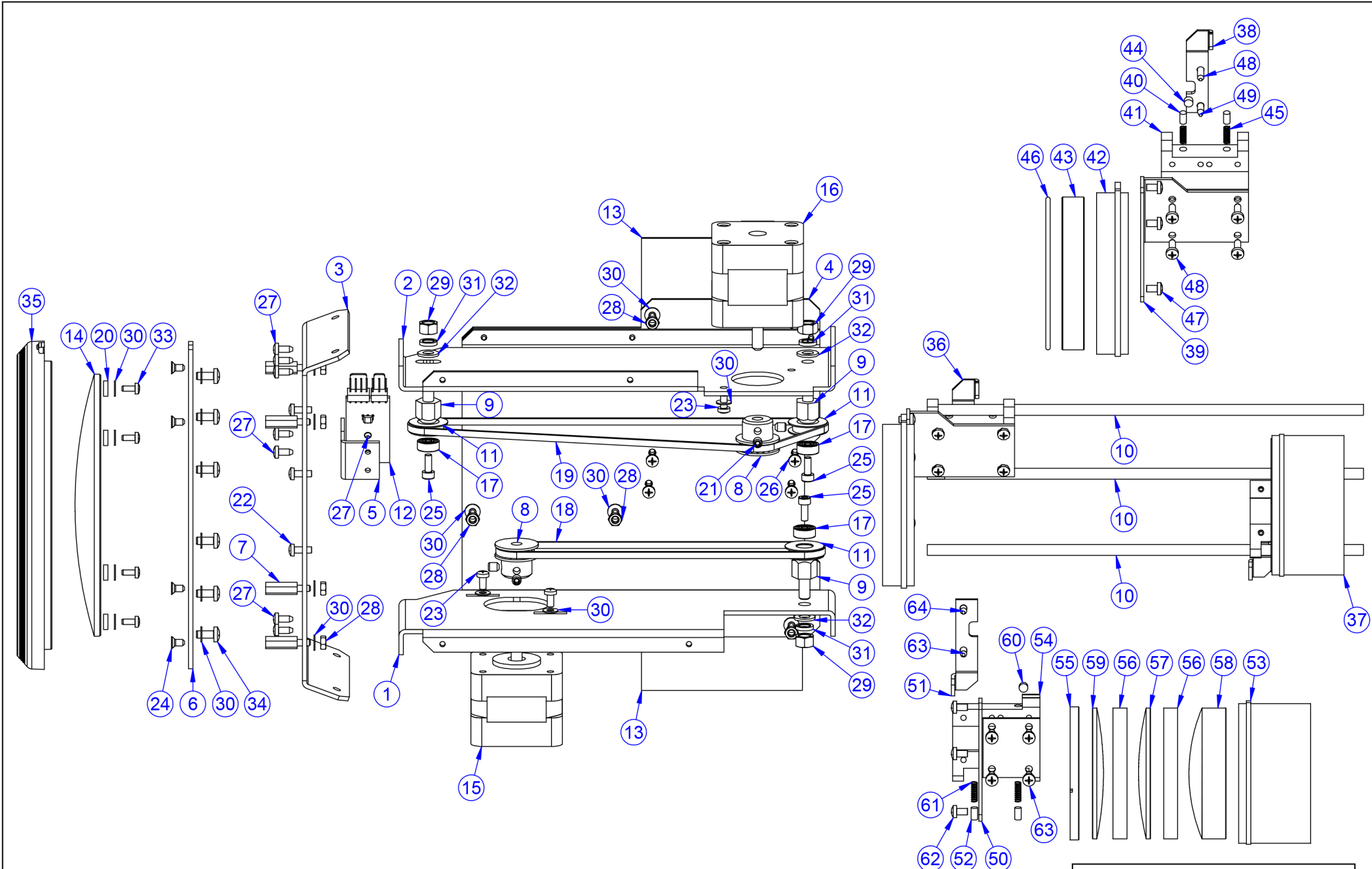
PRODUCT: ColorSpot 1200E AT		
TITLE: Effect Cobr 4+1 assembled		
DOCUMENT: 99010596		
VERSION: A	DATE: 27.4.2004	SHEET: 11 OF 19



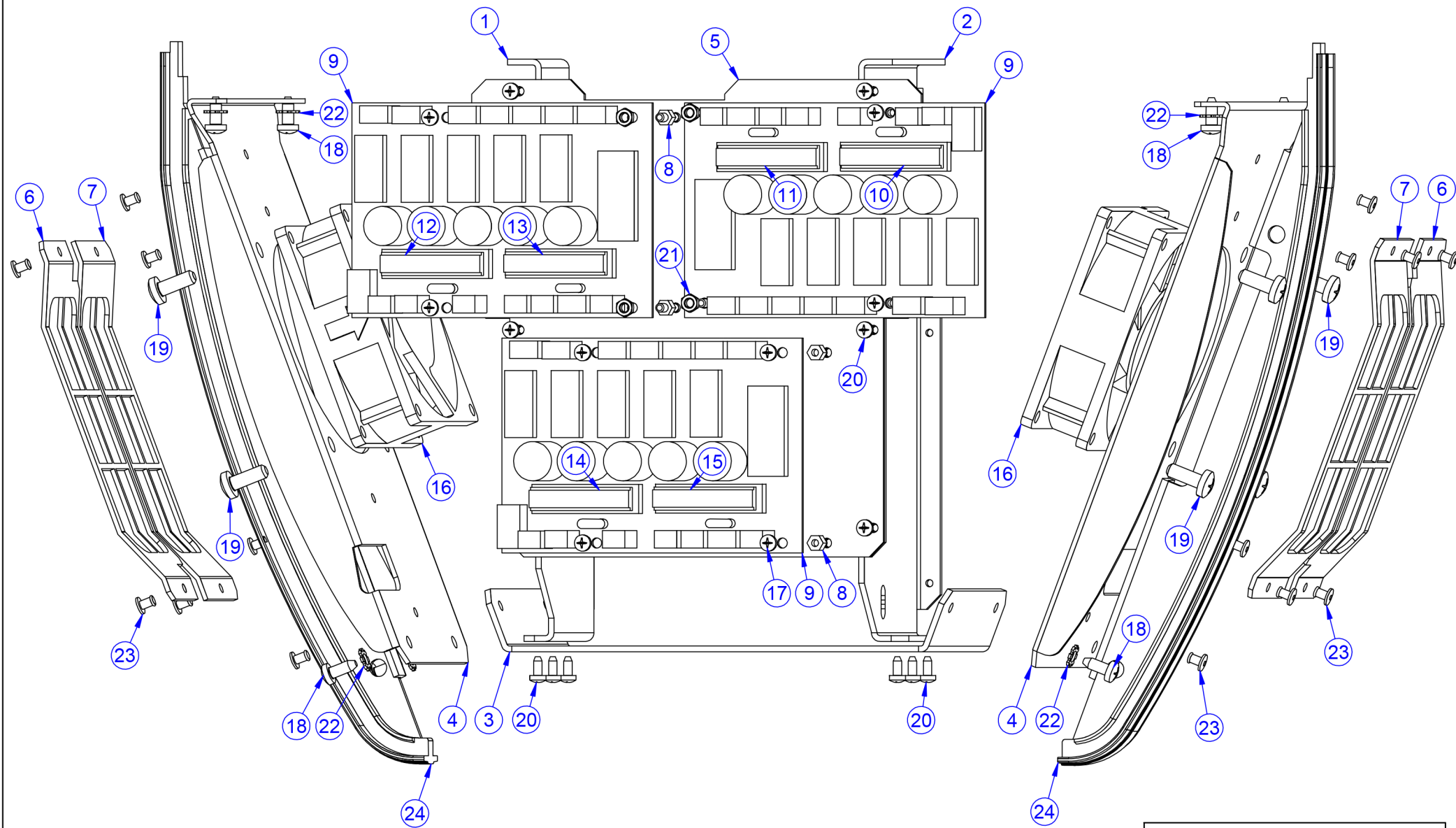
PRODUCT: ColorSpot 1200E AT		
TITLE: Module RG2		
DOCUMENT: 99010737		
VERSION: A	DATE: 27.4.2004	SHEET: 12 OF 19



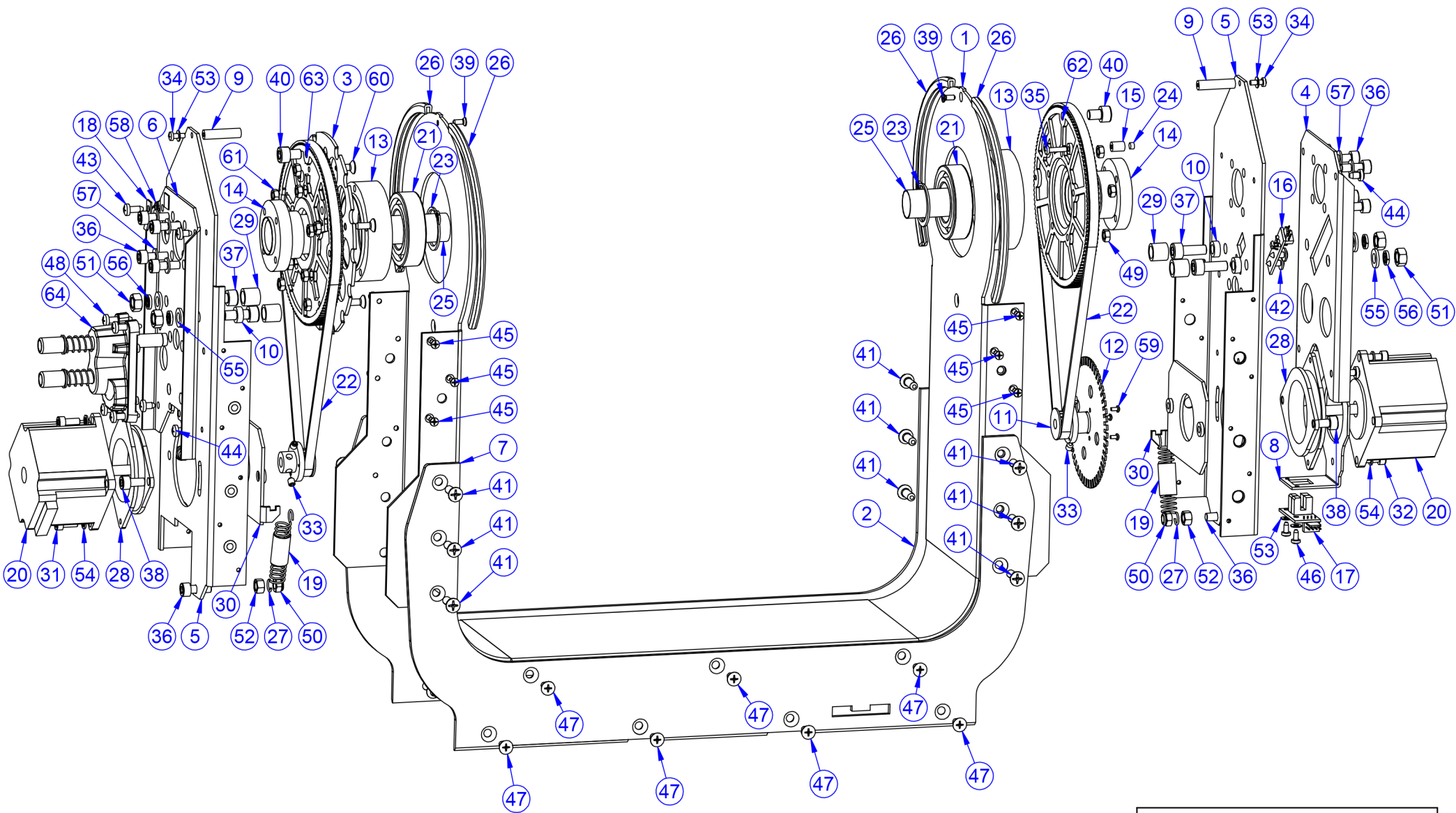
PRODUCT: ColorSpot 1200E AT		
TITLE: Wheel Gobo RG 6+1 B assembled		
DOCUMENT: 99010607		
VERSION: A	DATE: 27.4.2004	SHEET: 13 OF 19



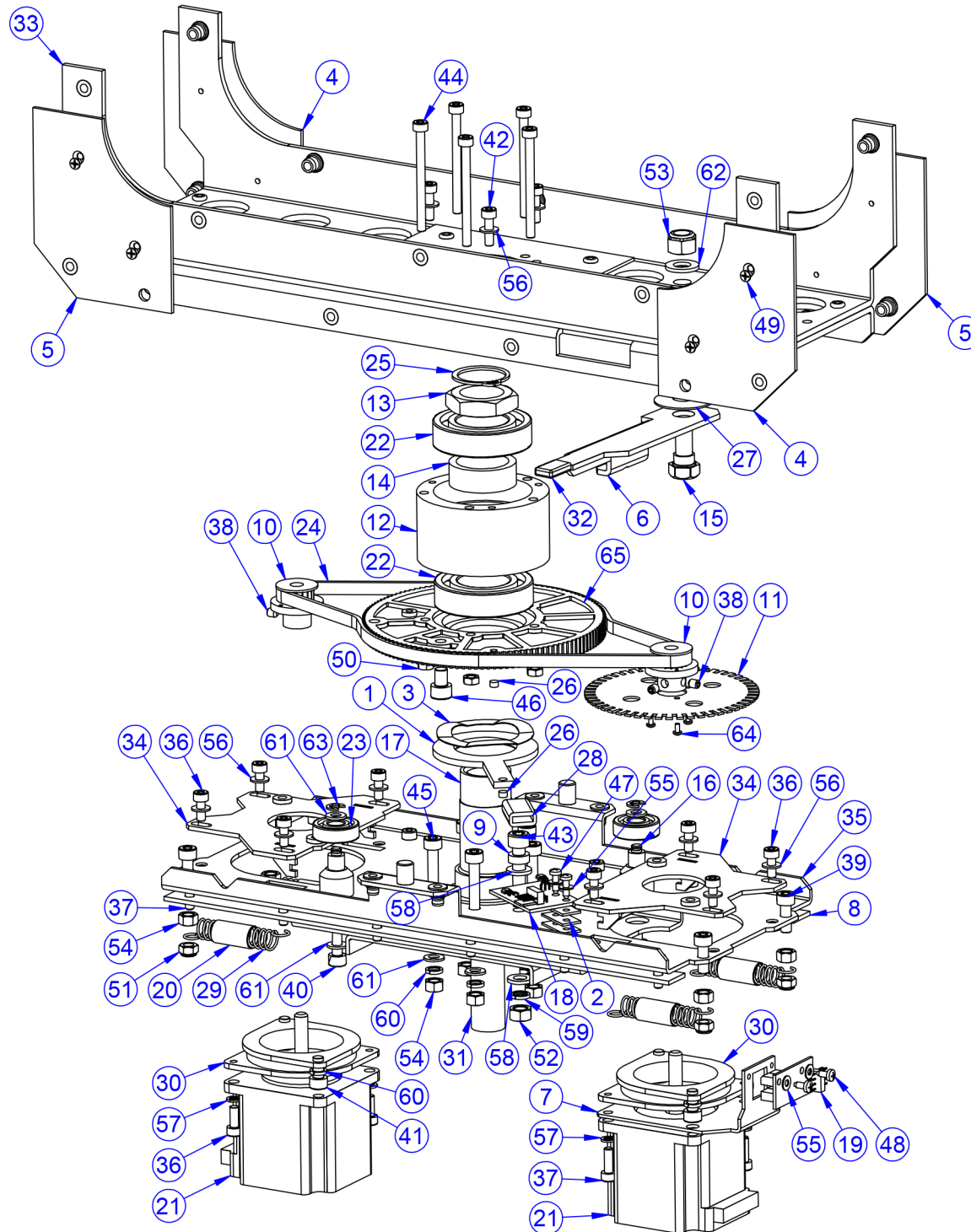
PRODUCT: ColorSpot 1200E AT		
TITLE: Focus,Zoom,Objective		
DOCUMENT: 99010737		
VERSION: A	DATE: 27.4.2004	SHEET: 14 OF 19



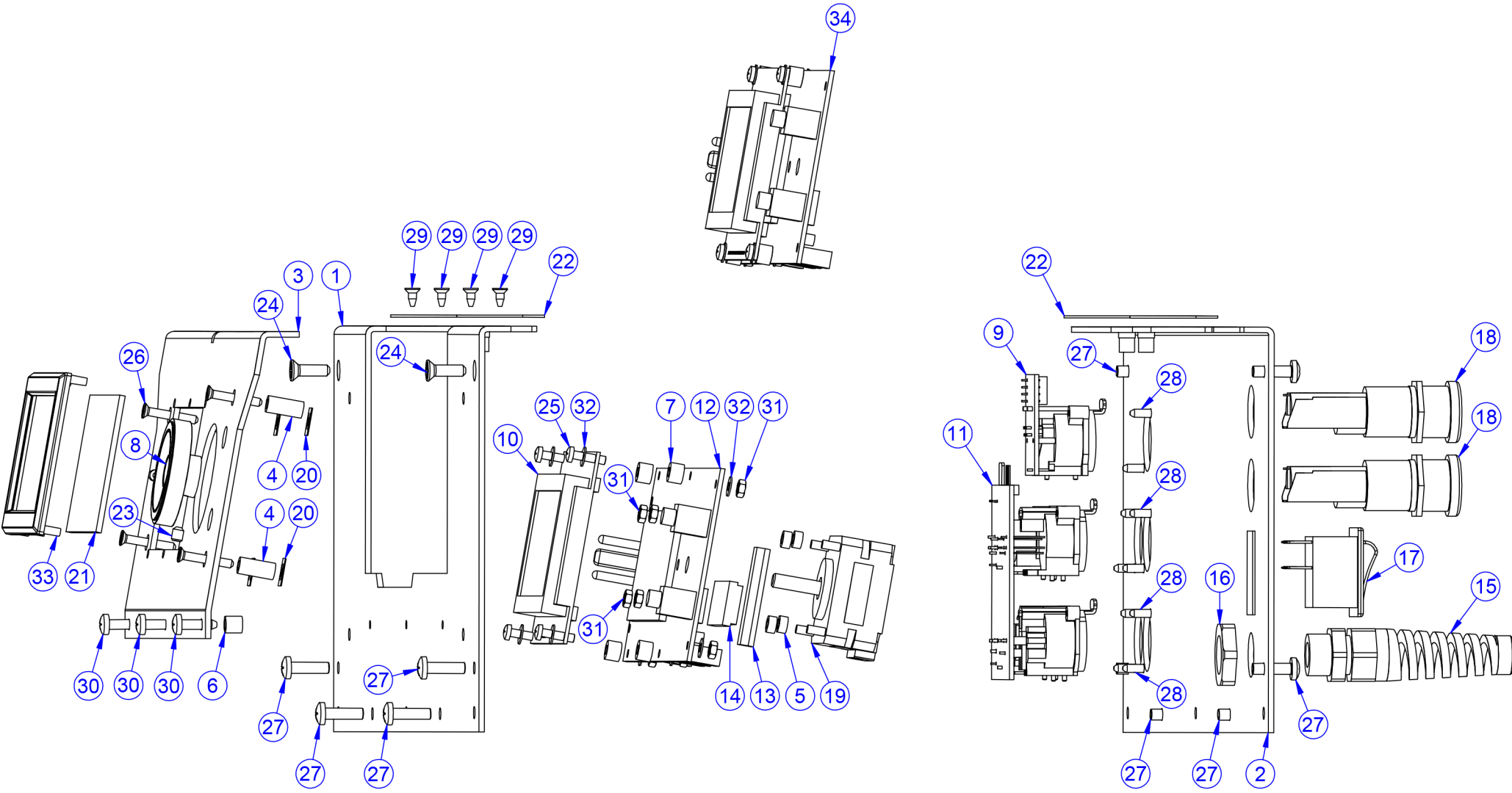
PRODUCT: ColorSpot 1200E AT		
TITLE: Holder of electronic		
DOCUMENT: 99010737		
VERSION: A	DATE: 27.4.2004	SHEET: 15 OF 19



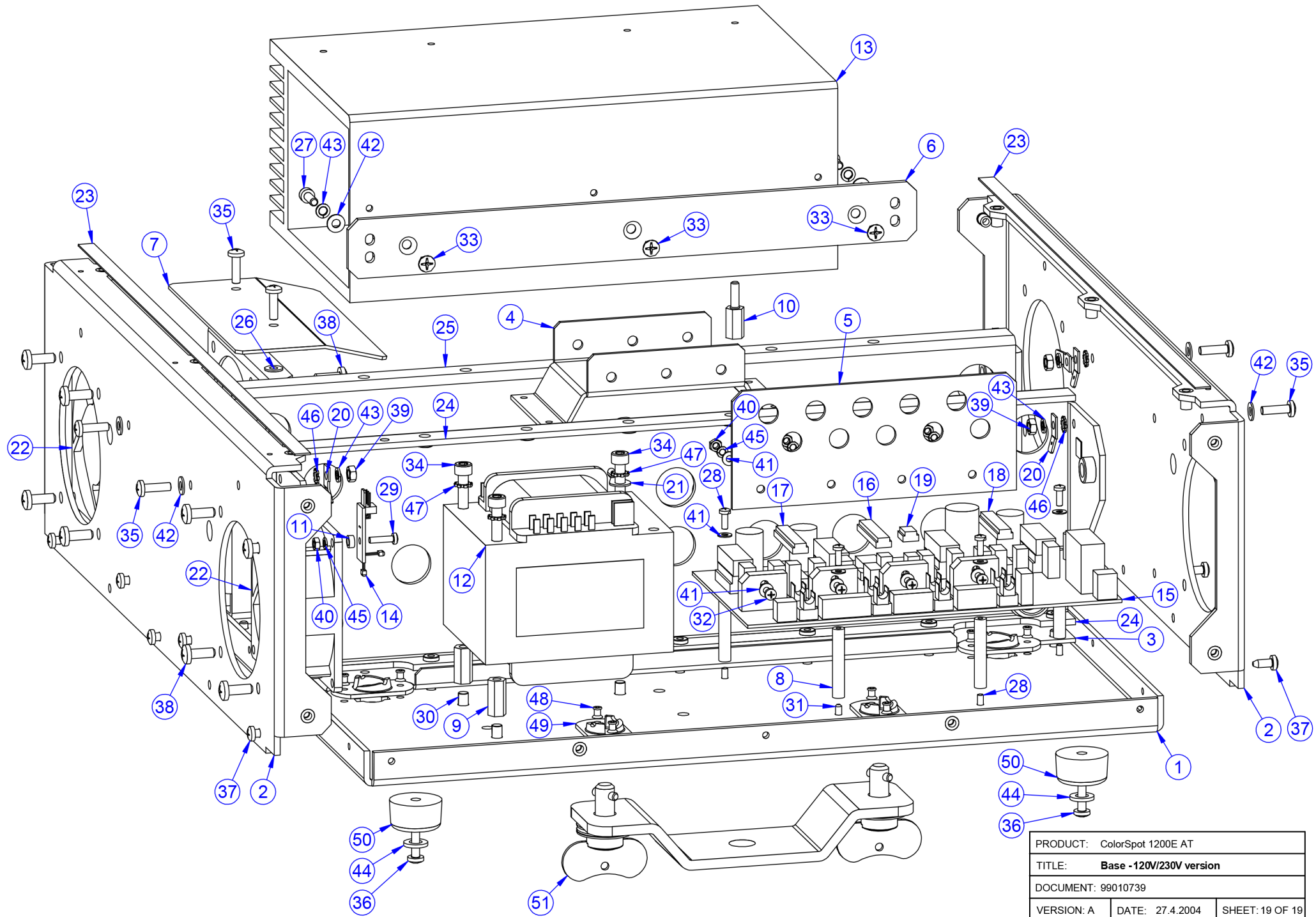
PRODUCT: ColorSpot 1200E AT		
TITLE: Arm of head		
DOCUMENT: 99010670		
VERSION: A	DATE: 27.4.2004	SHEET: 16 OF 19



PRODUCT: ColorSpot 1200E AT		
TITLE: Axe "X"		
DOCUMENT: 99010689		
VERSION: A	DATE: 27.4.2004	SHEET: 17 OF 19



PRODUCT: ColorSpot 1200E AT		
TITLE: Front and rear panel of base 120V/230V		
DOCUMENT: 99010739		
VERSION: A	DATE: 27.4.2004	SHEET: 18 OF 19



PRODUCT: ColorSpot 1200E AT		
TITLE: Base -120V/230V version		
DOCUMENT: 99010739		
VERSION: A	DATE: 27.4.2004	SHEET: 19 OF 19